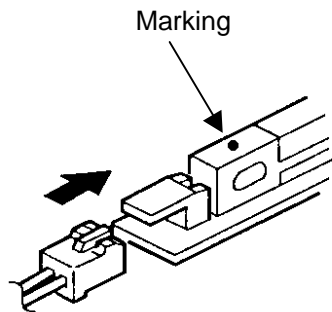


Model: Interface Kit Type C		Date: 15-Aug-97	No: 3
Modified Article: Pre-Transfer Lamp		Prepared by: N.Kaiya	
From: QAC 1st Field Information Dept.			
Reason for Modification:	<input type="checkbox"/> Parts catalog correction	<input type="checkbox"/> Vendor change	<input type="checkbox"/> To meet standards
	<input type="checkbox"/> To facilitate assembly	<input type="checkbox"/> To improve reliability	()
	<input type="checkbox"/> Part standardization	<input checked="" type="checkbox"/> Other	

To prevent the cyan toner scattering image problem with the Lily/Fiery system, the Pre-Transfer Lamp has been modified to emit stronger light. The new Pre-Transfer Lamp can be distinguished by the marking at the position shown in the figure. Also, the part number is printed on the PCB.



Id part number	New part number	Description	Qty	Int	Page	Index
A0305243	A3995243	Pre-Transfer Lamp	1-1	X/O	3	5